

# INSTALLATION INSTRUCTIONS

## Ultimate Series

KASW06A, KASW07A, KASW08A, KASW09, KASW06W, KASW07W, KASW08W, KASW09W

## Heavy Commercial Ultimate Series

KASW106HC, KASW107HC, KASW108HC, KASW109HC, KASW110HC, KASW106HCW, KASW107HCW, KASW108HCW, KASW109HCW & KASW110HCW

### WARNING!

*You must please read these instructions prior to installation.*

*\*Installation should only be conducted by two competent tradespersons*

1. Installation requires two competent trades-people.
2. **DO NOT** open folding attic ladder until it is securely supported in the ceiling.
3. Check the ceiling height to make sure the ladder length is correct. If the ladder is too short, return it to the point of purchase for an exchange. Under no circumstance is any folding attic ladder to be used when the ceiling-to-floor measurement exceeds the maximum ceiling height as indicated for the Ceiling Mounted Folding Attic Ladder you are installing (See “Min / Max Ceiling Height” column in Table 1 on page 2).
4. This folding attic ladder is completely assembled and is ready for installation. Do not disassemble it to install.
5. The Gas struts on this folding attic ladder are under compression. Use extreme caution when checking, or using this folding attic ladder. Never try to remove the gas struts when the folding attic ladder is in the open position.
6. Make sure there is no wiring or piping that the saw or drill can come in contact with during installation.
7. Opening or standing on the folding attic ladder’s climbing sections prior to properly fastening to ceiling joists could cause serious bodily injury or death.
8. If the premises has roof trusses, do not cut the ceiling joists without consulting an engineer for approval.
9. Before installation, read all the instruction and warning labels on the folding attic ladder.
10. Improper installation of this folding attic ladder could put undue stress on its components and could result in failure and serious bodily injury or death.
11. Follow the “Height Adjustment” instructions on the Critical Step Detail Page 5.

## PARTS LIST

Included with your folding Attic Ladder.

- 1 x Extendable operating pole.
- 1 x Eye hook with 2 washers and 1 nut.
- 12 x Fixing Screws.
- 6 x Coach Screws.
- 1 x Instruction Sheet.

## PEOPLE, TOOLS AND MATERIALS REQUIRED

- Two (2) competent trades-people.
- Stepladder.
- Hammer.
- Adjustable Spanner.
- Tape Measure.
- Drill.
- Spacers (same length & width of joists)
- Additional 6mm spacers for squaring purposes.
- Phillips head screwdriver.
- 2 Support Beams (90 x 35 mm Pine).

### WARNING!

**READ INSTRUCTIONS AND WARNINGS COMPLETELY BEFORE STARTING**

**IMPORTANT: DO NOT open folding attic ladder until instructed to in step number 7 on installation Instructions.**

## FOLDING ATTIC LADDER LOCATION

Allow ample room for the landing space and swing space of the folding attic ladder when it is opened (See Table 1 on this page and Figure 1 on page 3). Locate the folding attic ladders Nominal Frame Size and ensure you have adequate head and body space to enter the storage area.

Model	Nominal Frame Size	Min/Max Ceiling Height	Min/Max Landing Space	Min/Max Swing Clearance
KASW06A/106HC	550 x 1200	2400 - 2635	1149 - 1587	1574 - 1742
KASW07A/107HC	550 x 1300	2620 - 2850	1225 - 1700	1739 - 1922
KASW08A/108HC	550 x 1300	2810 - 3075	1310 - 1820	1697 - 1885
KASW09/109HC	550 x 1500	3070 - 3360	1412 - 1972	1917 - 2125
KASW110HC	550 x 1600	3360 - 3730	1700 - 2150	2150 - 2300
KASW06W/106HCW	700 x 1200	2400 - 2635	1149 - 1587	1574 - 1742
KASW07W/107HCW	700 x 1300	2620 - 2850	1225 - 1700	1739 - 1922
KASW08W/108HCW	700 x 1300	2810 - 3075	1310 - 1820	1697 - 1885
KASW09W/109HCW	700 x 1500	3070 - 3360	1412 - 1972	1917 - 2125
KASW110HCW	700 x 1600	3360 - 3730	1700 - 2150	2150 - 2300

\*Specifications are subject to change without notice.

**Table 1**

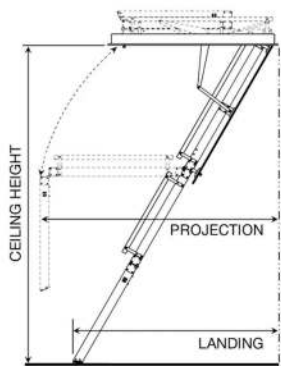


Figure 1

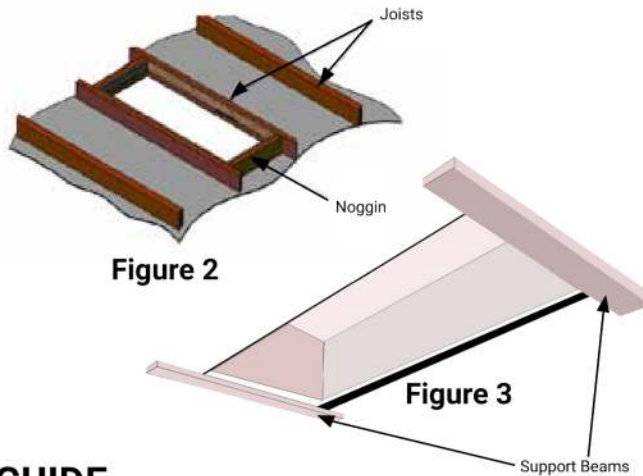


Figure 2

Figure 3

## **INSTALLATION GUIDE**

1. Remove the Attic Ladder from it's box.
2. Install eye bolt.

### **ATTACHING THE EYE BOLT**

- A. Remove pole from the bag and the eye bolt from the pole.
  - B. Remove the nut and 1 washer from the eye bolt.
  - C. Place the bolt through the hole provided in the door with 1 washer either side of the doorskin, then add the nut and tighten.
3. Make a rough opening in the ceiling, and frame to size (suitable to your model purchased) as shown in Table 1 (on page 2) & figure 2 (above).
- *If the folding attic ladder is wider than the spacing between the ceilings joists, you should consult a structural engineer before installing, since cutting into a ceiling joist could weaken the structural integrity of your ceiling.*

4. Securely screw one temporary support beam at the edge of either the footer or the header of the ladder cut out (Refer to figure 3 above). Ensuring that it does not obstruct the door from opening.
5. Place the attic ladder in this cut out with the edge of the attic ladders frame resting on the first support beam and with one person, holding the other end of the ladder up.
6. With one person holding the ladder in place, have another one secure the second beam in the header / footer again, ensuring that it does not obstruct the door from opening.

7. Ensure that the support beams are secure and properly in place and that the attic ladder can not move back and forth before letting go of the attic ladder, as failure to do these checks may result in damage, serious bodily harm or death.

- *The ladder door should still be able to open. These beams will provide temporary support in the installation of the ladder.*

### **WARNING!**

**Do not climb on Ladder with temporary support beams. If the beams are not affixed correctly, then it is not safe until all instructions and safety checks are carried out as listed in this document.**

8. Using a step ladder **CAREFULLY** open the folding attic ladder door, but **DO NOT** unfold the climbing sections. While standing on the stepladder, centre and square the folding attic ladder in the rough opening using packers.

### **WARNING!**

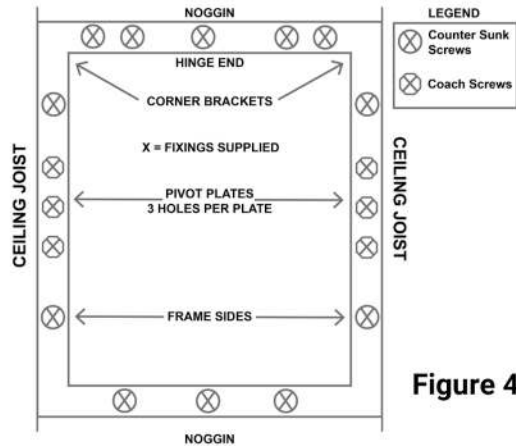
**When a stepladder is used, make sure that the user's weight and that of the folding attic ladder plus any tools does not exceed the load capacity of the stepladder (See notice labels on stepladder for safety information and load capacity).**

- *If the space between the rough opening and the folding attic ladder frame exceeds a 6mm of space, a piece of MDF or some other spacing material should be placed along the full length of the unit.*
  - *Then use the small packers to make the final square adjustments.*
  - *Check to be sure that the folding attic ladder frame is flush with the ceiling before final screwing.*
9. Once the folding attic ladder is positioned as desired, final screwing should be done through the folding attic ladder frame (see Figure 4 on page 5).
- *Be certain to install screws in the holes provided in the hardware pivot plates and the corner brackets (marked with red paint).*

**Note it is very important that screws go through pivot plates and corner brackets(failure to do so, could damage ladder and cause serious bodily injury).**

**Note: For fixing ladder we recommend the use of screws for ease of removal if required.**

**ENSURE ALL HOLES ARE FITTED WITH SCREWS MARKED IN RED**



**Figure 4**

**THE GAS SPRINGS ARE UNDER COMPRESSION, USE EXTREME CAUTION WHEN ADJUSTING, CHECKING, OR USING.**

10. Please refer to the "Adjusting to Length" section just below to complete installation.

### **ADJUSTING FOLDING ATTIC LADDER TO LENGTH**

**A.** With one person in the attic and the other in the room below, pull down the door and unfold your ladder as shown in figures 6 or 7 on page 6.

**B.** As shown in Figure 8 on page 6, undo the lock nuts on both sides of the frame.

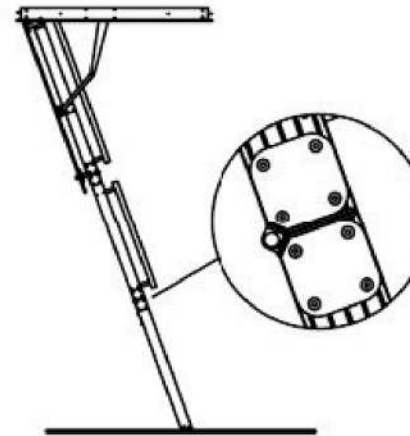
**C.** Turn the adjusting screws clockwise or anti clockwise, this will change the angle of the door until the feet touch the floor and section gaps are closed, as shown in figure 5 on page 6. Make sure both screws are adjusted the same length.

**D.** Tighten the lock nuts and re-check that both screws are the same length and it looks like figure 5 on page 6.

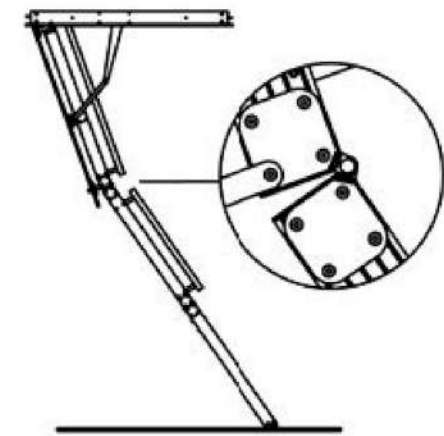
**E.** If the attic ladder looks like Figures 6 or 7 on page 6, then it is not safe to use.

- Re-do steps 2 to 4.
- If still having trouble, please contact Kimberley Products on either (03) 9768 5777 and ask for: Customer Service or e-mail [sales@kimprod.com.au](mailto:sales@kimprod.com.au)

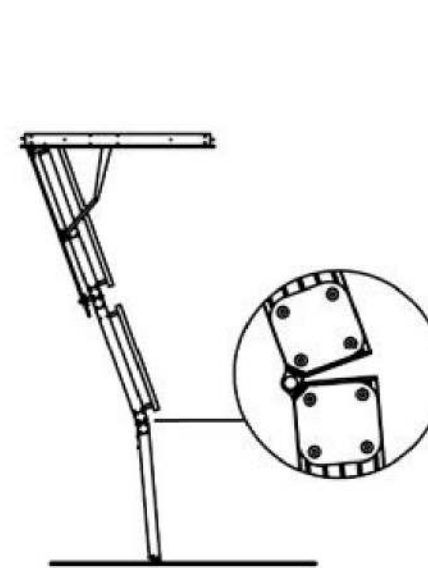
11. To install moulded trim (architrave), leave adequate clearance between the door panel and the trim on all sides.



**Figure 5**



**Figure 6**



**Figure 7**



**Figure 8**