

# PULL OUT WASTE BIN INSTRUCTIONS

## PARTS LIST:

- 1x Bin Frame with Lid
- 2 x 20L Bin Buckets
- 1 Warranty Card
- 1 x Instructions
- 4 Screws

## PRODUCT DIMENSIONS

H : 41.5cm  
W : 36.6cm  
D : 51.8cm

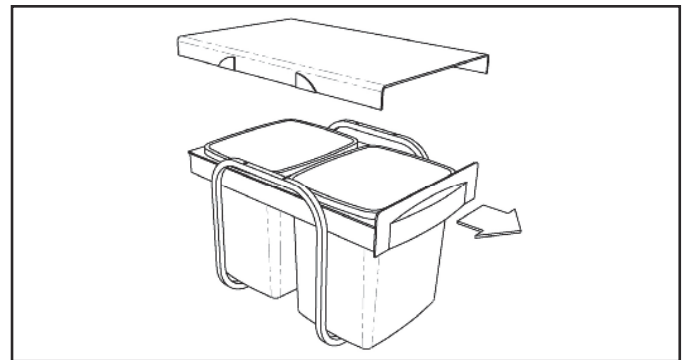
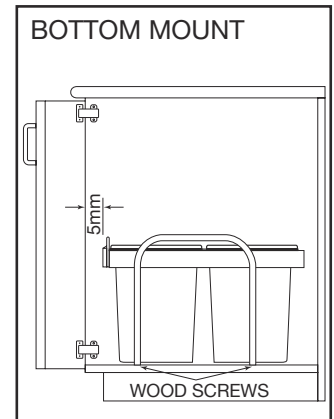
## INSTRUCTIONS

1. Position frame assembly 5mm from the door face and away from hinges.
2. Use four wood screws to fix bin frame to cabinet.

To remove lid, depress one side at a time and lift out.

To remove slider, locate clip on side of runner, depress and pull out.

Use medium size liners with your bin. To fit bags, lift bin out of frame and tuck excess bag down around the sides and drop bins back into base.



## Caring For Your Waste Bin

1. Please make sure you thoroughly read and understand the installation instructions and follow them carefully.
2. For best results and longevity, always use a bin liner inside your waste bin.
3. Always make sure the liner is fitted without obstructing any of the waste bins moving parts.
4. Do not overload your waste bin.
5. Do not force rubbish down to compact your waste.
6. Do not place heavy items on top of the bin lid.
7. Never try to close your waste bin with your feet.
8. Never force the waste bin closed.
9. Clean the interior and exterior of the waste bin regularly using a soft cloth and warm mild soapy water. Do not use harsh detergents.
10. Use a soft cloth to dry the waste bin after washing.
11. Thoroughly dry metal components to avoid rust and damage.
12. Do not use the bin outside or expose to the weather.
13. Do not place waste bin near a heater or hot device.