

Please retain this sheet for future reference.

PARTS LIST:

- 1x Stainless Steel Rim
- 1x Bin
- 1x Rubber Lid Support
- 1x Lid
- 1x Instruction Sheet

Installation

1. Choose suitable position on bench. Ensure there are no obstructions underneath ie. Pipes, shelves etc. Allow 300mm clearance for bin bucket.

2. Mark and scribe a Ø272mm hole.

3. Carefully cut out hole and test fit stainless steel rim.

4. Hold rim in place with suitable builders adhesive.

5. Insert bucket, then rubber lid support, then the lid.

If required, replace bucket supplied with your own larger one placed under the hole.

Use small to medium bin liners.

How To Care For Your New Kimberley Waste Bin

1. Please make sure you thoroughly read and understand the installation instructions and follow them carefully.

2. For best results and longevity, always use a bin liner inside your waste bin.

3. Always make sure the liner is fitted without obstructing any of the waste bins moving parts.

4. Do not overload your waste bin.

5. Do not push the rubbish down to try to compact your waste.

6. Do not place heavy items on top of the bin lid. There is a Wire Basket (KWB01) available to suit Waste Bin Models: KRB06, KRB06D, KRB08, KRB14, KRB14D, KRB15 & KRB15D.

7. Never try to close your waste bin with your feet.

8. Never force the waste bin closed.

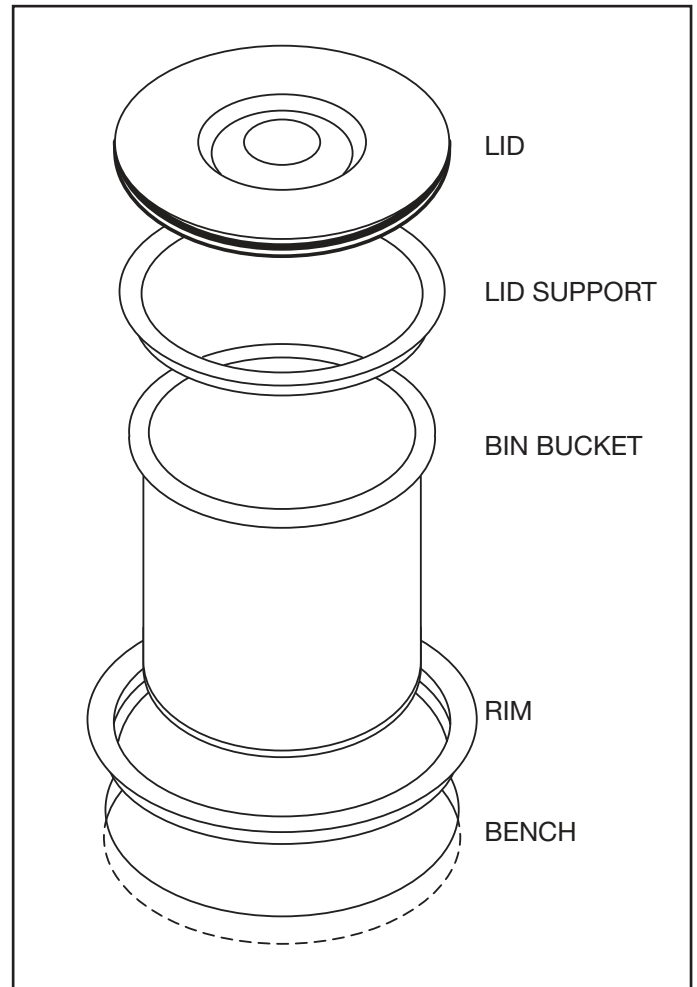
9. Clean the interior and exterior of the waste bin regularly using a soft cloth and warm mild soapy water. Do not use harsh detergents.

10. Use a soft cloth to dry the waste bin after washing.

11. Thoroughly dry metal components to avoid rust and damage.

12. Do not use the bin outside or expose to the weather.

13. Do not place waste bin near a heater or hot device.



Kimberley Products Pty Ltd

ABN 34 004 518 012

5 Abbots Rd Dandenong South Vic 3175

Ph: (03) 9768 5777

Em: sales@kimprod.com.au

Web: www.kimberleyproducts.com.au