

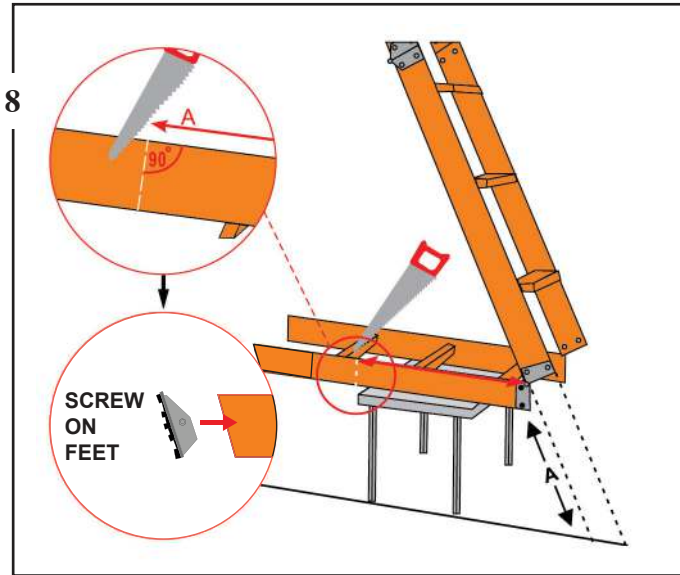
KIMBERLEY

www.kimprod.com.au

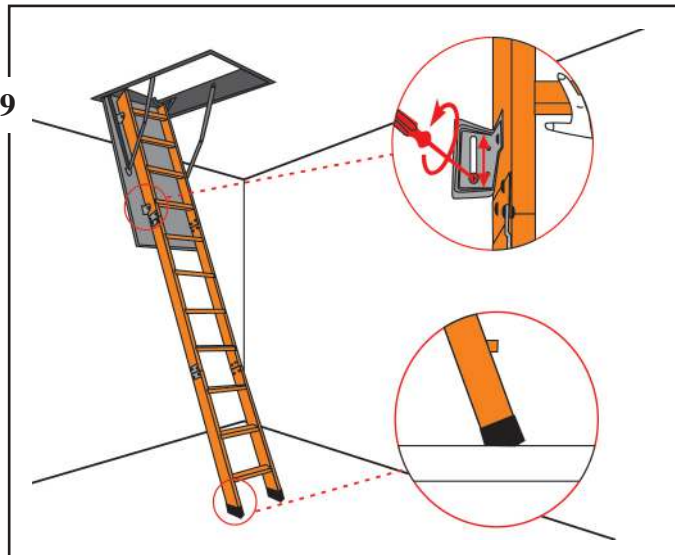
PH: 1800 225 377

Email: kimprod@kimprod.com.au

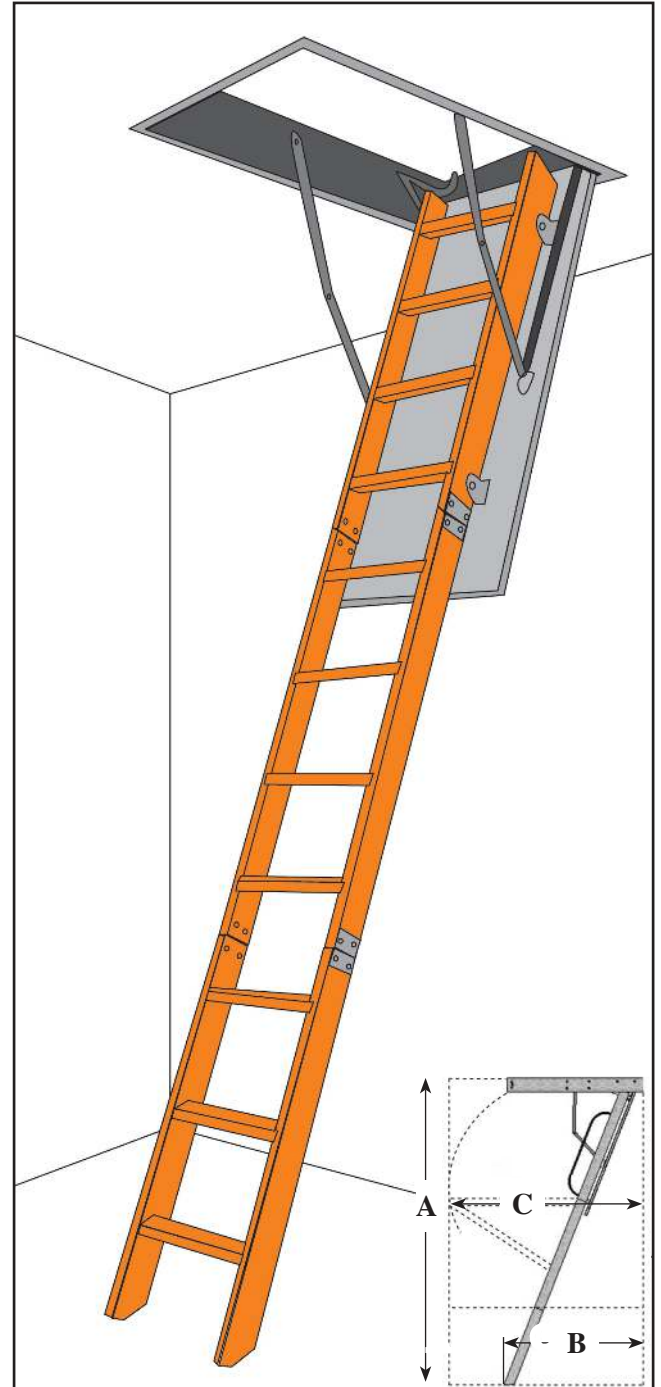
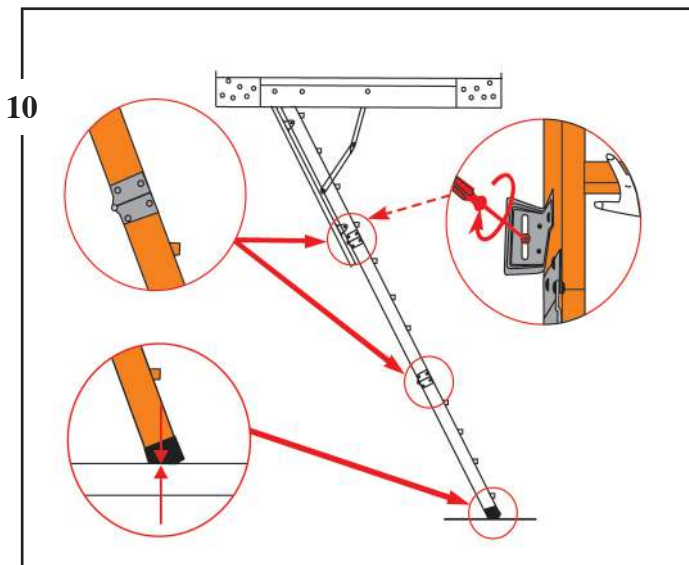
INSTALLATION INSTRUCTIONS FOR ALUMINIUM ATTIC LADDER MODEL KASW45 / KASW46



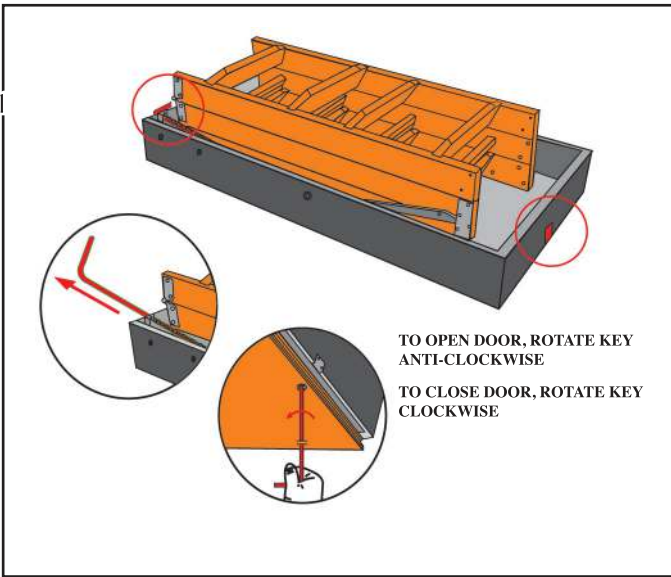
8
USING A HACKSAW, CUT LADDER TO THE CORRECT MEASUREMENT, FROM THE HINGE LINE, TO THE GROUND AND FIT PLASTIC FEET.



9
YOU CAN MAKE MINOR ADJUSTMENTS TO THE LADDER AFTER FITTING THE FEET.

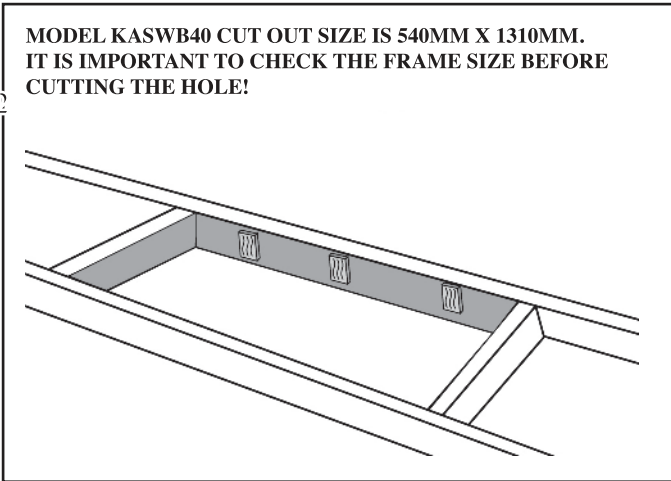


Code	(A) Ceiling Height (mm)	Nominal Frame Size (mm)	(B) Landing Space (mm)	(C) Projection (mm)	Step WxLxD (mm)	Side Rail (mm)	Nominal Door Panel Size (mm)
KASW45	2200 - 2700	530 x 1200	1250 - 1650	1800-1800	80 x 340 x 40	80 x 40	510 x 1180
KASW46	2700 - 3050	530 x 1300	1550 - 1750	1900-1900	80 x 340 x 40	80 x 40	510 x 1280



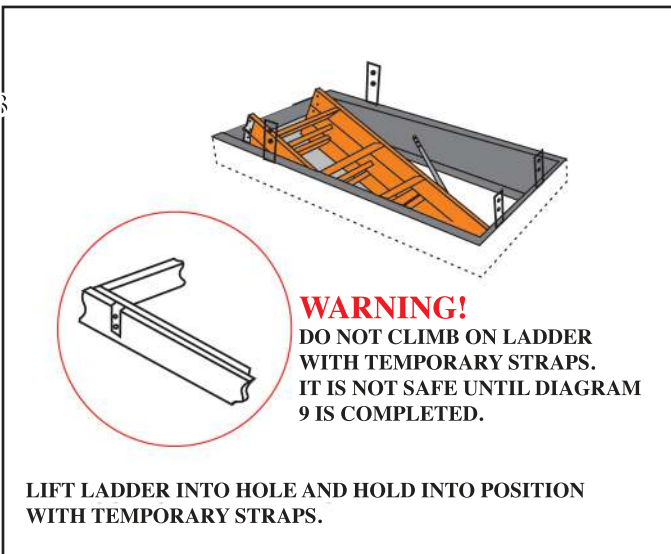
TO OPEN DOOR, ROTATE KEY ANTI-CLOCKWISE
 TO CLOSE DOOR, ROTATE KEY CLOCKWISE

FOR PACKING PURPOSES, THE DOOR KEY ROD IS SUPPLIED IN THE UNITS SPRING. REMOVE IT, AND STORE IT IN A SAFE PLACE.



MODEL KASWB40 CUT OUT SIZE IS 540MM X 1310MM. IT IS IMPORTANT TO CHECK THE FRAME SIZE BEFORE CUTTING THE HOLE!

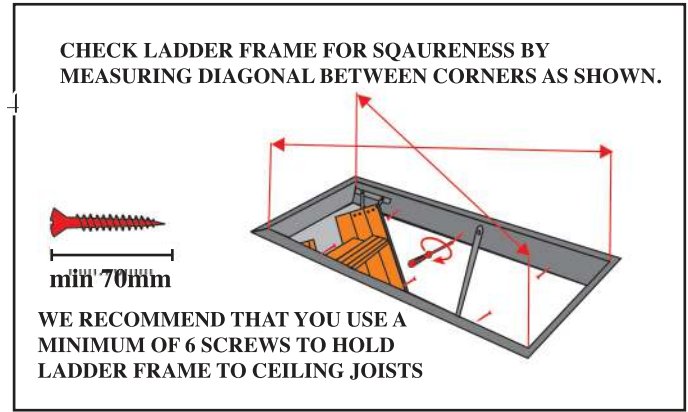
MAKE A ROUGH OPENING IN THE CEILING, AS SHOWN ABOVE. IF THE LADDER IS WIDER THAN YOUR JOIST CENTRES, YOU SHOULD CONSULT AN STRUCTURAL ENGINEER FOR ADVICE.



WARNING!
 DO NOT CLIMB ON LADDER WITH TEMPORARY STRAPS. IT IS NOT SAFE UNTIL DIAGRAM 9 IS COMPLETED.

LIFT LADDER INTO HOLE AND HOLD INTO POSITION WITH TEMPORARY STRAPS.

THERE ARE 4 TEMPORARY SUPPORT STRAPS SUPPLIED WITH THIS LADDER. WHEN YOU ARE SATISFIED WITH THE POSITION OF THE LADDER, BEND THE STRAPS OVER THE CEILING JOISTS AND SECURE WITH LARGE HEAD NAILS.

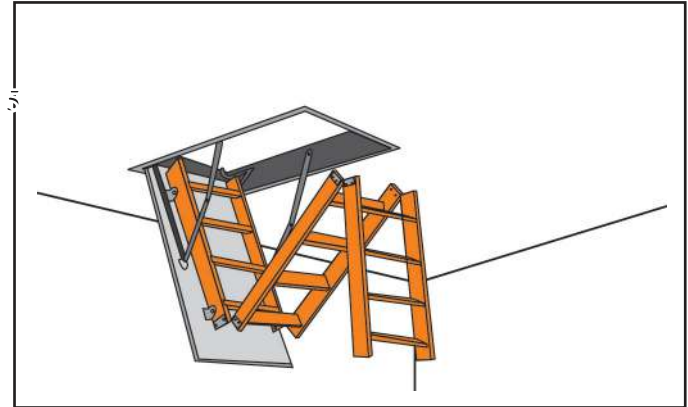


CHECK LADDER FRAME FOR SQAURENESS BY MEASURING DIAGONAL BETWEEN CORNERS AS SHOWN.

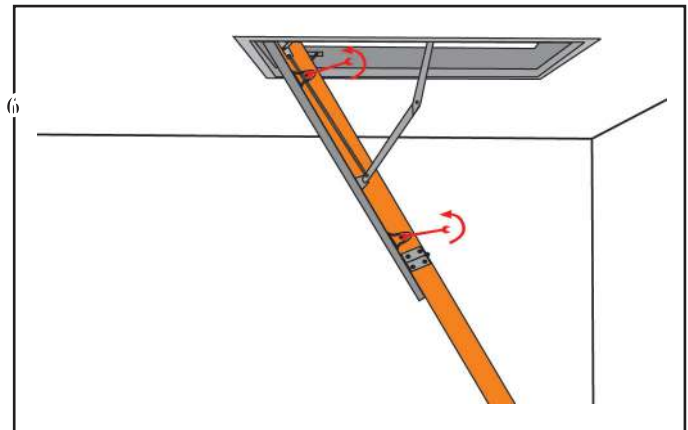


WE RECOMMEND THAT YOU USE A MINIMUM OF 6 SCREWS TO HOLD LADDER FRAME TO CEILING JOISTS

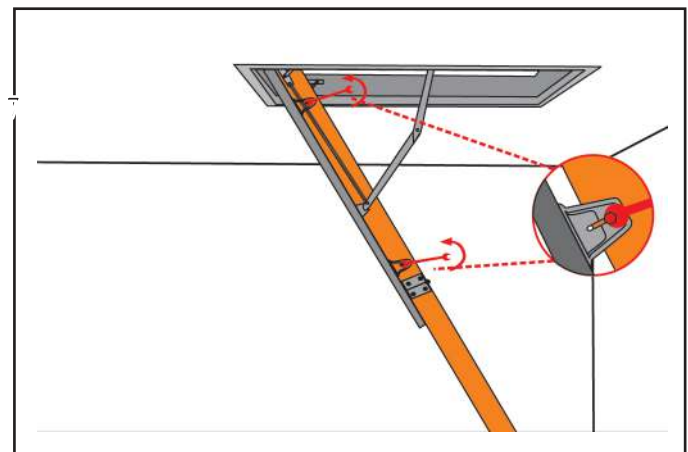
WE RECOMMEND YOU USE SCREWS TO FIX THE LADDER INTO PLACE.



UNFOLDING DOWN THE LADDER.



ADJUST WHEN THE LADDER IS OPEN ONLY.



ADJUST OUTWARDS TO INCREASE CLEARANCE BETWEEN LADDER & HATCH DOOR.