

Please retain this sheet for future reference.

PARTS LIST:

- 1x Plastic Bin—30 Litres
- 1x Shaft Assembly
- 1x Lid Assembly (including LH & RH Hinge Plate)
- 1x Split Pin (for lid)
- 10x Wood Screw 8x16mm Countersunk (for bracket mounting)
- 1x Elastic Retaining Band (for liner)
- 1x Assembly Instruction Booklet

SHAFT ASSEMBLY (Refer Fig. 1 & 2)

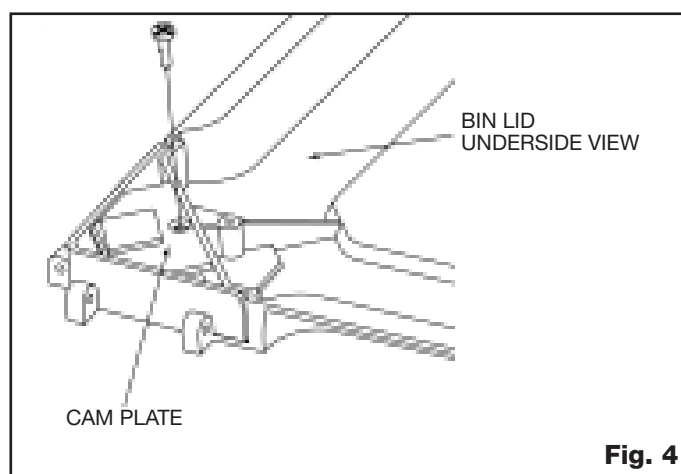
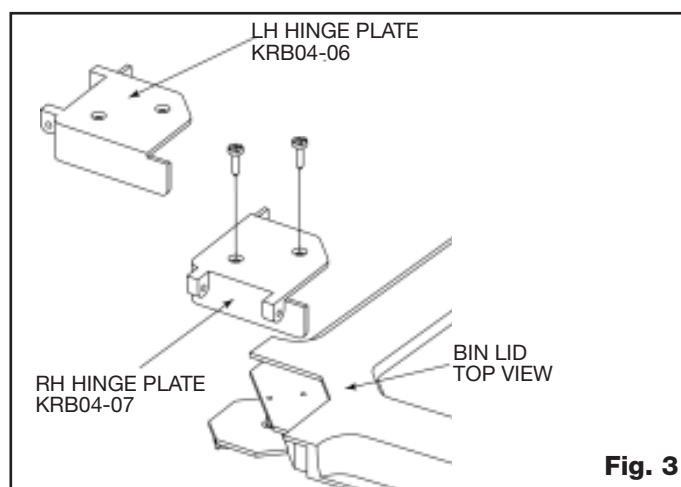
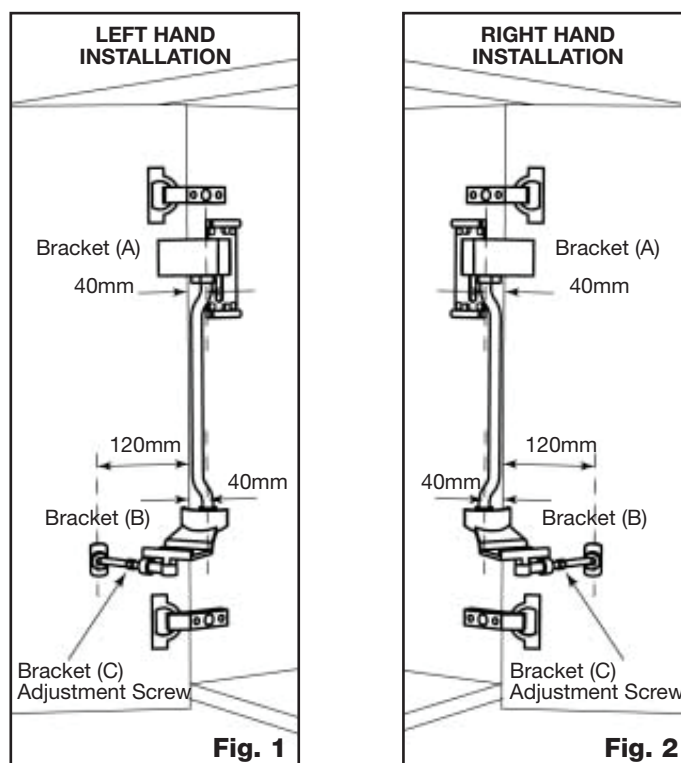
The shaft assembly is supplied partially complete ready to install to suit Left Hand (LH) or Right Hand (RH) door openings. Refer to Fig. 1 & 2 for orientation and bracket position.

1. Place Bottom Bracket (B) on shaft to suit either LH or RH Door.
2. Place Top Bracket (A) on shaft to suit LH or RH door opening as per Fig. 1 & 2.
3. Position bin in cabinet allowing 120mm (min.) clearance for lid to open. Mark the screw holes to fix Bottom Bracket (B) to side of cupboard. Make sure the centre of the shaft is 40mm from the inside edge of the cupboard, in positions shown in Fig. 1&2.
4. Fix Top Bracket (A) in place. Ensure the complete shaft assembly brackets are seated correctly on shaft.
5. Secure toggle bracket (C) to door a minimum of 120mm from inside edge of door. Ensure slotted side of bracket faces inside cabinet.

Note: As there are many types of door hinges, place the bin in position and open and close the door to determine the best position to secure bracket (C).

LID ASSEMBLY (Refer Fig. 3 & 4)

1. The lid has been factory assembled for LEFT HAND installation. For RH installation replace Hinge Plate KRB04-06 with KRB04-07 (included in the kit).
2. Locate Lid on top of Bracket (A) and lock in place with split pin provided (Fig. 5). Flair ends of split pin slightly to secure. The bin lid should open automatically as the cupboard door opens and lower as the door closes.
3. Open and close door to check that the lid opens smoothly as door opens. Adjust as required by turning the adjustment screw on Bracket (C) (Fig. 1 & 2).



BIN PLACEMENT (Fig. 5 & 6)

1. Open the door sufficiently to clip the bin onto top bin support.
2. Hold bottom of bin out slightly while locating bin lip on top bracket. Then push bottom of bin in until it snaps into the bottom retainer.

A plastic liner should be used and it can be held in position with the elastic cord supplied. All large size plastic liners are suitable.

How to Care for your New Kimberley Waste Bin

1. Please make sure you thoroughly read and understand the installation instructions and follow them carefully.
2. For best results and longevity, always use a bin liner inside your waste bin.
3. Always make sure the liner is installed without obstructing any of the waste bins moving parts.
4. Do not overload your waste bin.
5. Do not push the rubbish down to try to compact your waste.
6. Do not place heavy items on top of the bin lid. There is a Wire Basket (KWB01) available to suit Waste Bin Models: KRB06, KRB06D, KRB08, KRB14, KRB14D, KRB15 & KRB15D.
7. Never try to close your waste bin with your feet.
8. Never force the waste bin closed.
9. Use a soft cloth and warm mild soapy water to regularly clean the interior and exterior of the waste bin. Do not use harsh detergents.
10. When washing the waste bin, use a soft cloth to dry the waste bin.
11. Be careful to thoroughly dry any areas of metal to avoid rust and damage.
12. Do not use the bin outside or expose it to the weather.
13. Do not place waste bin near a heater or hot device.

