

Please retain this sheet for future reference.

PARTS LIST:

- 1x Bin Body
- 8x Panhead Screws 8 Gauge x 1/2" HW33
- 1x Lid (D) SKRB01-17
- 1x Instruction Sheet SKRB01-22

All parts below to be attached to runner tree:

- 1x Bin Support Bracket (A) SKRB01-19N
- 1x Lid Support Bracket (B) SKRB01-18N
- 1x Bin Puller Bracket (C) SKRB01-23N
- 1x Plastic Pin Top (E) SKRB01-14
- 1x Plastic Pin Bottom (F) SKRB01-15

Note: Pin (F) is for model: KRB01 only.

Attaching Bin & Lid Support

1. Identify all parts and separate from the runner tree.
2. Locate bin support bracket (A) onto lid support bracket (B) as shown.
3. Establish desired height.
 - Note:** Lid support bracket (B) must at least 100mm from top of cupboard to allow for lid movement and bucket removal – check clearance before proceeding.
4. Position support bracket (A) 79mm from edge of cupboard and parallel with edge.
5. Mark and drill five 2mm holes and secure with screws provided, as shown (Sketch 1).

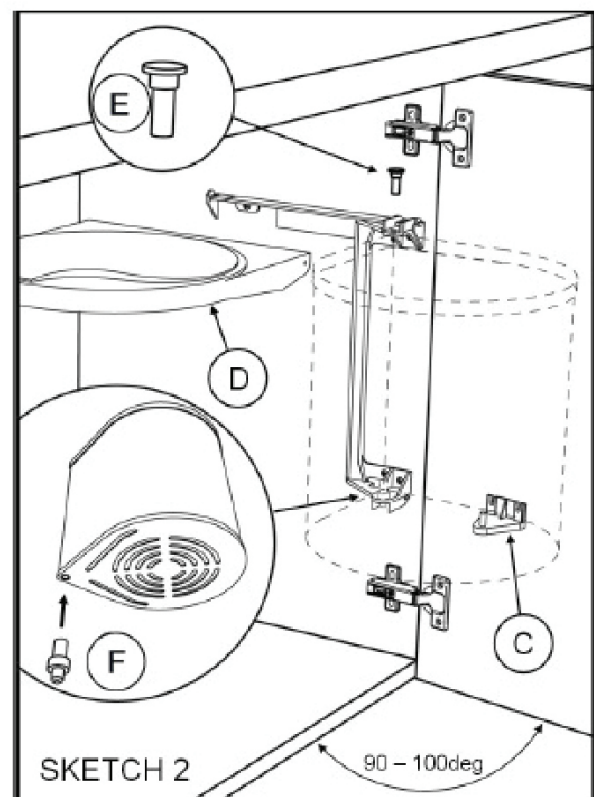
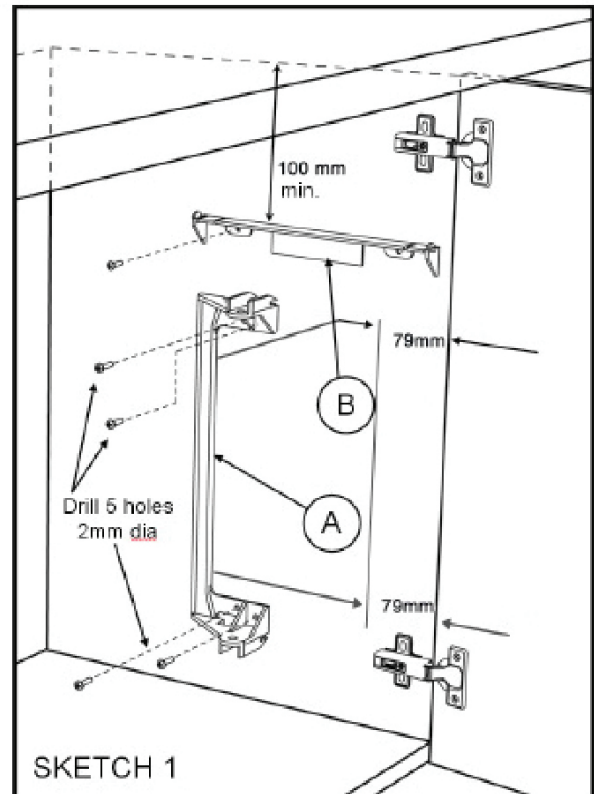
Note: Bracket (A) is designed to fit between or straddle the hinges.

Attaching Bin Puller Bracket To Door

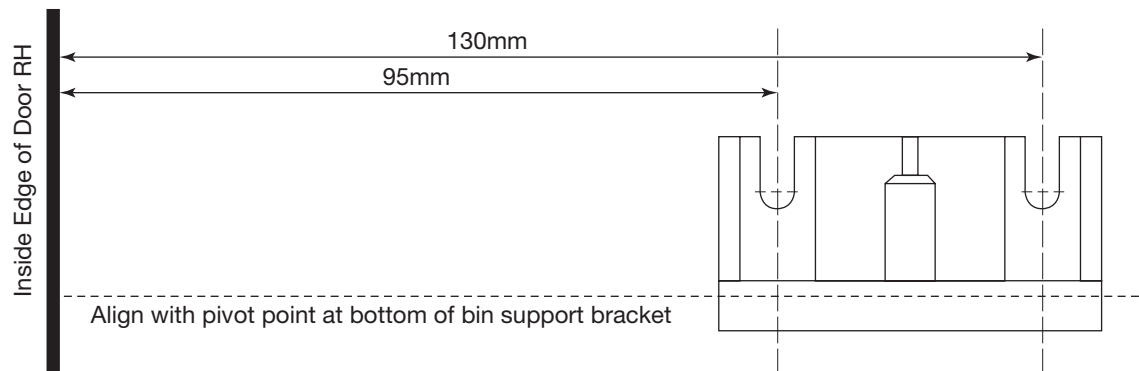
1. Using the template on the back, line up the dark line with the inside edge of the door.
2. Align dotted line with the pivot point at bottom of support bracket (A).
3. Drill two 2mm holes and secure with screws provided.
 - Note:** If door is rebated where puller bracket is to be positioned, space out to thickness of door. Take care not to pierce door front.

Final Fitting & Attaching Lid

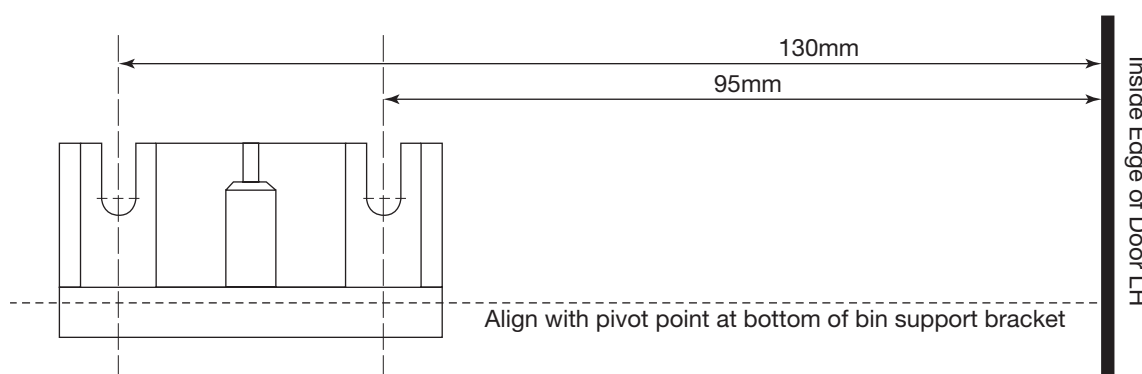
1. If you are installing KRB01 (Stainless Steel), fit bottom pin (F) in base of bin as shown in sketch 2.
2. Locate bottom of bin body on bottom of bracket (A) and puller bracket (C) then locate top with plastic pin (E). To remove bin, reverse this procedure.
3. Fit lid by springing outer lid edges over pins on lid support bracket (B) as shown (Sketch 2).
4. Check that movement is okay and drop in liner bin. Use small polybag liners in bin.



Puller Bracket Template - Right Hand Installation



Puller Bracket Template - Left Hand Installation



How to Care for your New Kimberley Waste Bin

1. Please make sure you thoroughly read and understand the installation instructions and follow them carefully.
2. For best results and longevity, always use a bin liner inside your waste bin.
3. Always make sure the liner is installed without obstructing any of the waste bins moving parts.
4. Do not overload your waste bin.
5. Do not push the rubbish down to try to compact your waste.
6. Do not place heavy items on top of the bin lid. There is a Wire Basket (KWB01) available to suit Waste Bin Models: KRB06, KRB06D, KRB08, KRB14, KRB14D, KRB15 & KRB15D.
7. Never try to close your waste bin with your feet.
8. Never force the waste bin closed.
9. Use a soft cloth and warm mild soapy water to regularly clean the interior and exterior of the waste bin. Do not use harsh detergents.
10. When washing the waste bin, use a soft cloth to dry the waste bin.
11. Be careful to thoroughly dry any areas of metal to avoid rust and damage.
12. Do not use the bin outside or expose to the weather.
13. Do not place waste bin near a heater or hot device.