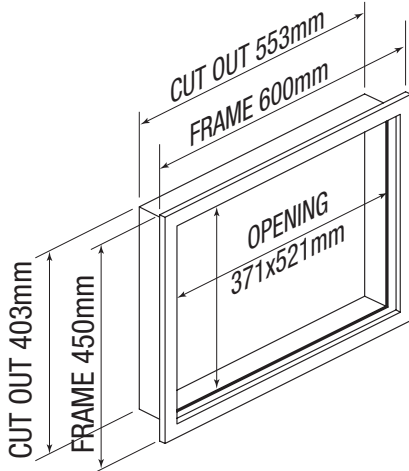


KIMBERLEY™

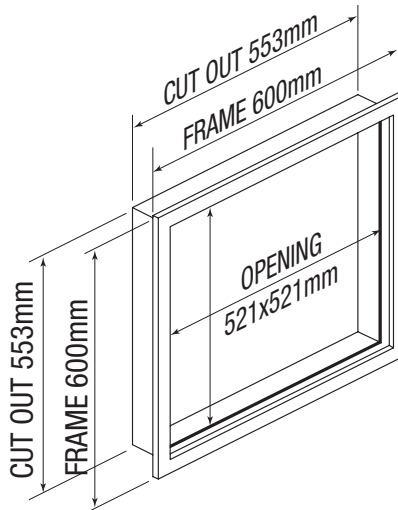
Heavy Duty Manhole Frame

Model: KMH01, KMH02, KMH03

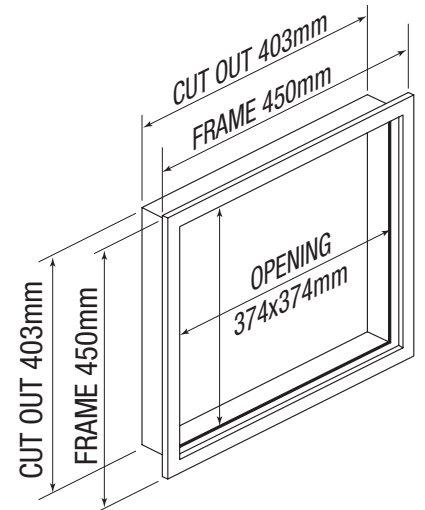
FITTING INSTRUCTIONS



KMH01 - 600x450mm Manhole Frame



KMH02 - 600x600mm Manhole Frame



KMH03 - 450x450mm Manhole Frame

1. Suits standard 450-600mm joist centres.
2. Use dimension diagrams as a guide - insert manhole frame between joists.
3. Pack out if necessary to ensure neat fit.
3. Fix into place using pre punched holes.

© 2016 Kimberley Products. All rights reserved. Patent Pending. In an ongoing commitment to product quality we reserve the right to change specifications without notice. E&OE.
D/N: SKMHIS-130117

Kimberley Products Pty Ltd
ABN 34 004 518 012

5 Abbots Rd Dandenong South Vic 3175

Ph: (03) 9768 5777 Fax: (03) 9768 5788

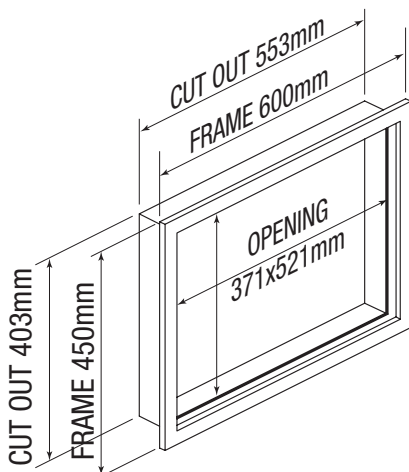
Em: kimprod@kimprod.com.au Web: www.kimprod.com.au

KIMBERLEY™

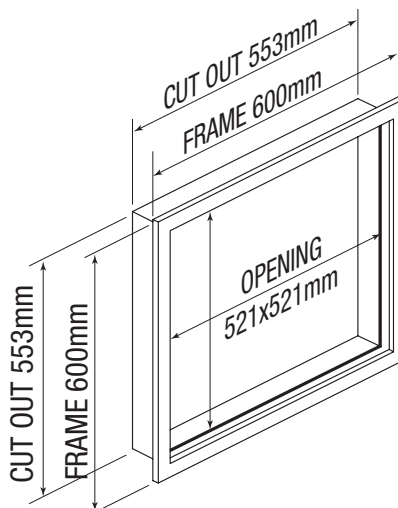
Heavy Duty Manhole Frame

Model: KMH01, KMH02, KMH03

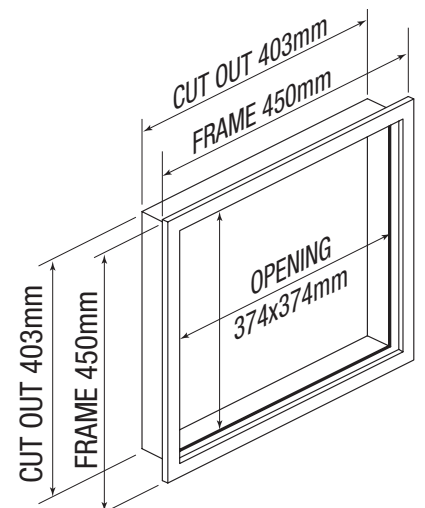
FITTING INSTRUCTIONS



KMH01 - 600x450mm Manhole Frame



KMH02 - 600x600mm Manhole Frame



KMH03 - 450x450mm Manhole Frame

1. Suits standard 450-600mm joist centres.
2. Use dimension diagrams as a guide - insert manhole frame between joists.
3. Pack out if necessary to ensure neat fit.
3. Fix into place using pre punched holes.

© 2016 Kimberley Products. All rights reserved. Patent Pending. In an ongoing commitment to product quality we reserve the right to change specifications without notice. E&OE.
D/N: SKMHIS-130117

Kimberley Products Pty Ltd
ABN 34 004 518 012

5 Abbots Rd Dandenong South Vic 3175

Ph: (03) 9768 5777 Fax: (03) 9768 5788

Em: kimprod@kimprod.com.au Web: www.kimprod.com.au